

## PAPERLESS RECORDER PR8000



### SPECIFICATIONS

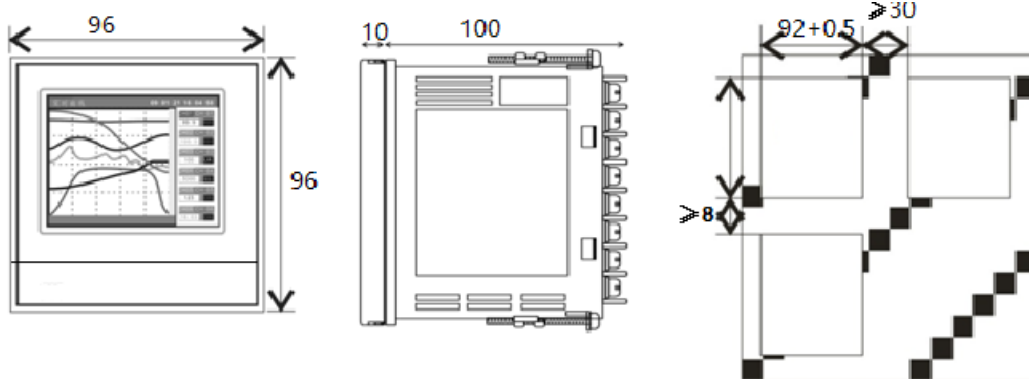
<b>Display</b>	3.5" , 320 x 240 TFT, Color LCD Display
<b>Number of inputs</b>	1, 2, 3, 4, 5, 6, 7, 8 points
<b>Input Signal</b>	Thermocouple: 8types ( K, J, T, E, R, S, B, N, Wer526,Wre325 ) RTD-Resistance Bulbs:3 types ( PT100, CU50, CU100) DC Voltage ( 0-5VDC, 1-5 VDC) DC Current ( 4-20mA, 0-10mA) Others: 2 types (0-60mV, 0-100mV)
<b>Sample Rate</b>	1s /8 channel
<b>Power Supply</b>	100-240VAC, 47-63Hz, 24VDC
<b>Power Consumption</b>	Max 20VA(20W)
<b>Front size</b>	96 x 96 x 110mm
<b>Operation Temperature</b>	Working temperature 0~50 ° C Relative Humidity 10% ~ 85%
<b>Storage</b>	Temperature - 20° C ~60 ° C Relative Humidity 5% ~ 95%
<b>Memory</b>	NOR Flash memory
<b>Memory Capacity</b>	90days x Record Interval Time/CH Number
<b>Relay Contact</b>	Max 2 Outputs, programmable
<b>Retransmission</b>	Max 2 Channels output
<b>Communication</b>	RS485 MODBUS-RTU protocol
<b>Type of Alarm</b>	High, Low, High-High, Low-Low Limit
<b>No of Alarm</b>	Up to 4alarms are settable for each channel, configurable flexibly
<b>Accuracy</b>	0.2 grade when RTD, Linear Voltage, Linear Current and T.C Input 0.2% FS ± 2.0 ° C when T.C. input with cold junction compensation by internal part of recorder.

**ORDERING CODE:-**

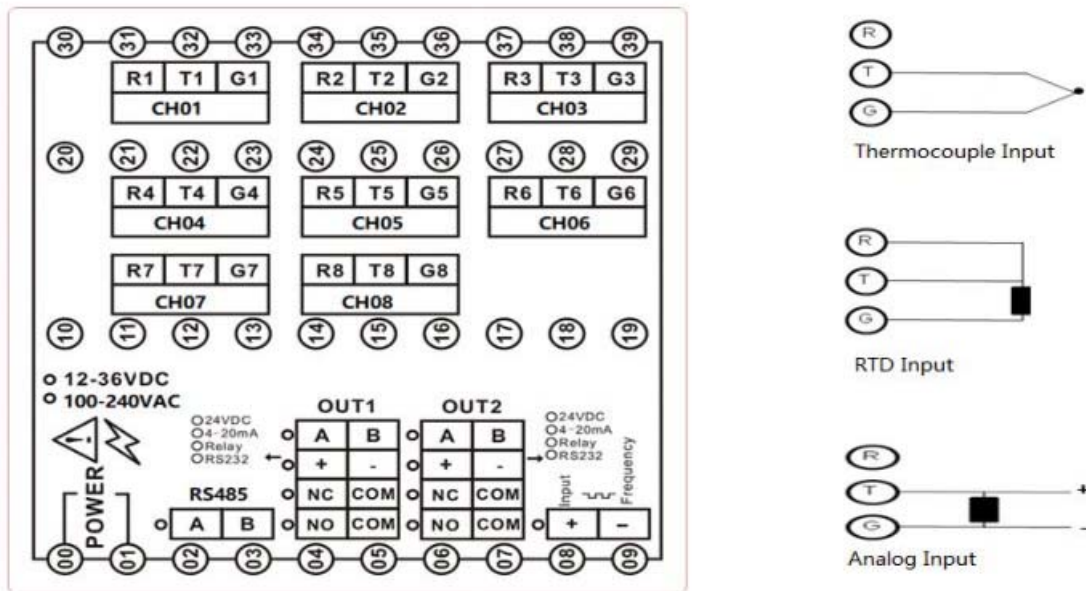
PR80	-	01	NO	NO	S	S	S	F
①		②	③	④	⑤	⑥	⑦	⑧

<b>① Item/Series</b>	PR80	Paperless recorder, Model PR8000
<b>② Channel</b>	01	1 Channel
	02	2 Channel
	.....	.....
	08	8 channel
<b>③ Output 1</b>		None
	NO	Relay alarm: NO , 30VDC/3A, 20VAC/3A
	NC	Relay alarm: NC , 30VDC/3A, 20VAC/3A
	P3	Isolated auxiliary 24VDC power supply for transmitter, sensor & other device, max. 40mA
	T	Isolated linear 4-20mA retransmission output
<b>④ Output 2</b>		None
	NO	Relay alarm: NO , 30VDC/3A, 20VAC/3A
	NC	Relay alarm: NC , 30VDC/3A, 20VAC/3A
	P3	Isolated auxiliary 24VDC power supply for transmitter, sensor & other device, max. 40mA
	P	RS232 printing port for mini printer
	T	Isolated linear 4-20mA retransmission output
<b>⑤ Communication</b>	S	None
	P1	RS 485 Output, MODBUS-RTU
<b>⑥ Frequency Input Signal</b>	S	None
	FI	One channel 0 – 5KHZ frequency input
<b>⑦ Power Supply</b>	S	85 – 240 VAC
	PS	24 VDC
<b>⑧ Flow Totalize,Math Function</b>	F	Flow totalize with Temperature, Pressure Compensation; Math Function

**DIMENSION:**



**DIAGRAM:**



Note: When 4-20mA input, please connect 50ohm resistor in parallel connection in input terminals  
 When 0-10mA input, please connect 500ohm resistor in parallel connection in input terminals

**Distributor by:**

**LKS West Instruments Sdn Bhd**

No. 50-2, Jalan Sungai Rasau D32/D,  
 Berjaya Park, Seksyen 32,  
 40460, Shah Alam, Selangor.  
 Tel: 603-5525 5038  
 Fax: 603-5525 5037  
 Email: [info.west@lkssb.com.my](mailto:info.west@lkssb.com.my)