

# Electrode Holder

**Industrial & Marine application**

**Model: FLR-EH**

## Measuring principle

Conductive measurement resistance from reference point to  
Switching electrode point

## Application

These floaless level switch is design for point level detection is applicable for the following application:-

- For conductive liquid
- Float-less application
- Pump control

The probe can be use for vacuum and overpressure condition up to 21 Kg/cm<sup>2</sup>. The seal material is with stand the operating temperature range of -80°C to 200°C.

## Feature of benefit

- Easy for setup Commissioning and calibration
- Suitable for most of the liquid application
- No recalibration require when replacing the controller



## Specification

Housing	: IP65
Insulation Probe Material	: PTFE/Hard Rubber
Process Connection	: Type 1: 1½" BSP Male (SS304) : Type 2: Flange (SS304) PN16/25/40
Insulation Resistance	: > 100M Ohm
Conduit Connection	: M20
Max. Working Temperature	: 120°C
Electrode Size	: 5mm/12mm/20mm/25mm
Maximum Pressure	: 21 Kg/cm <sup>2</sup>
Electrode	: Stainless Steel 316
Electrode Holder	: Cast Aluminuim
Electrode Holder size	: ODØ90 / IDØ75 H140 (mm)
Electrode Length (Standard)	: 1000mm (Others please specify)
Electrode size	: 5mm/12mm/20mm/25mm

## Certification

TUV : EN61000-3, EN61000-6

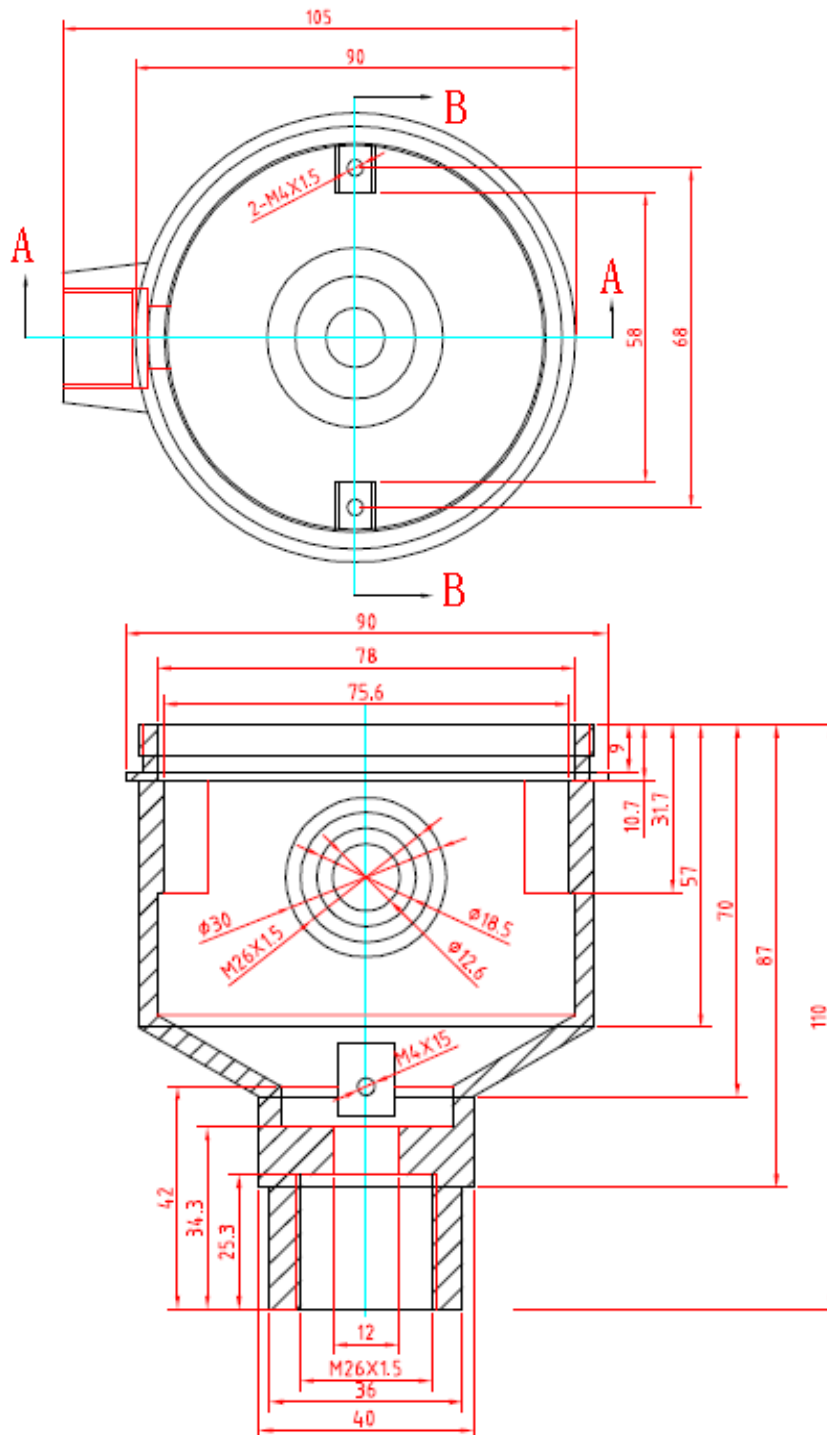


# Electrode Holder

**Dimension:**

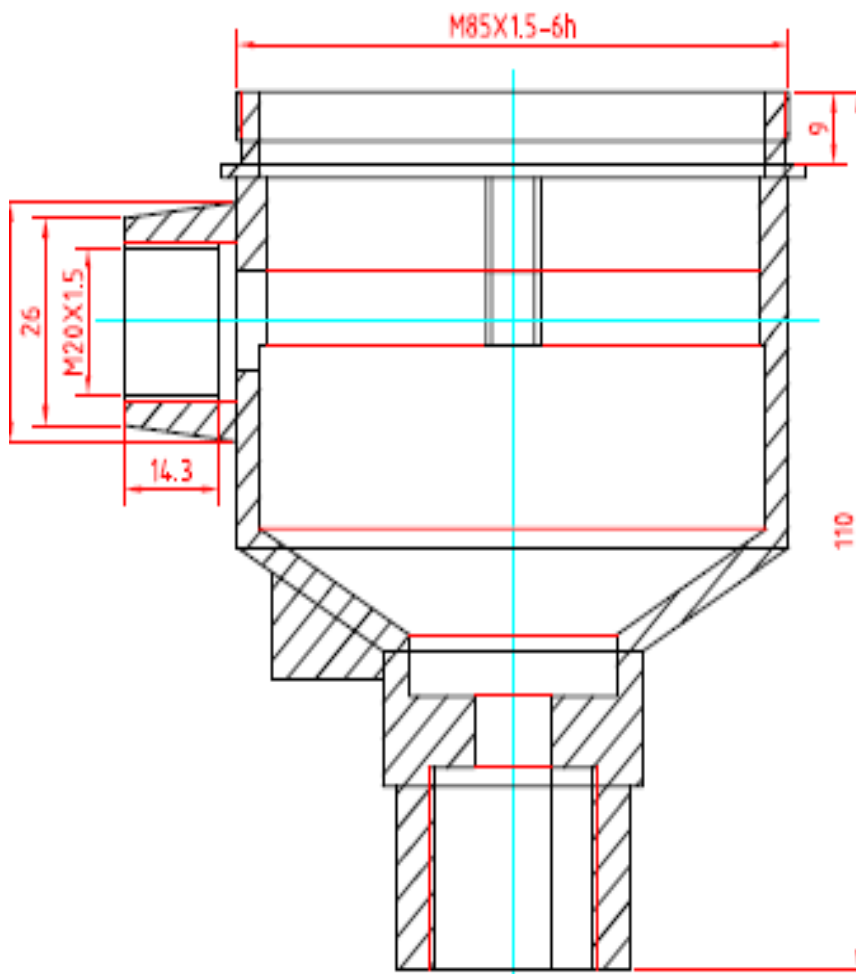
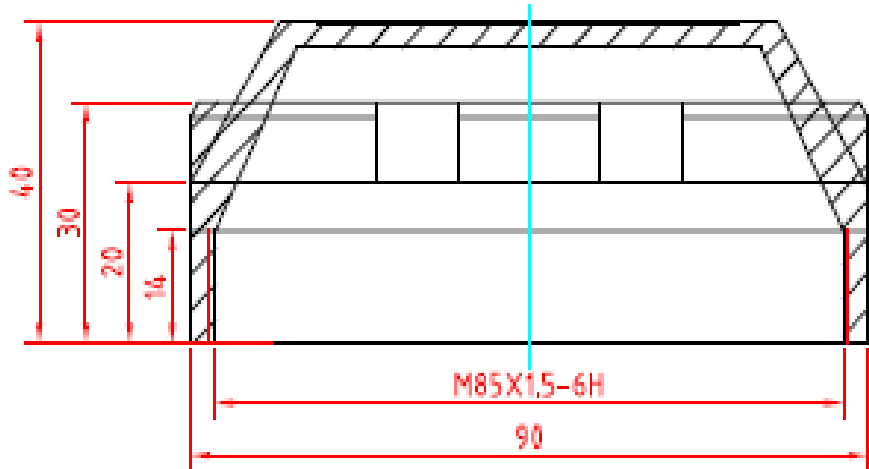
## A) Screw End Connection

**Internal Dimension**



# Electrode Holder

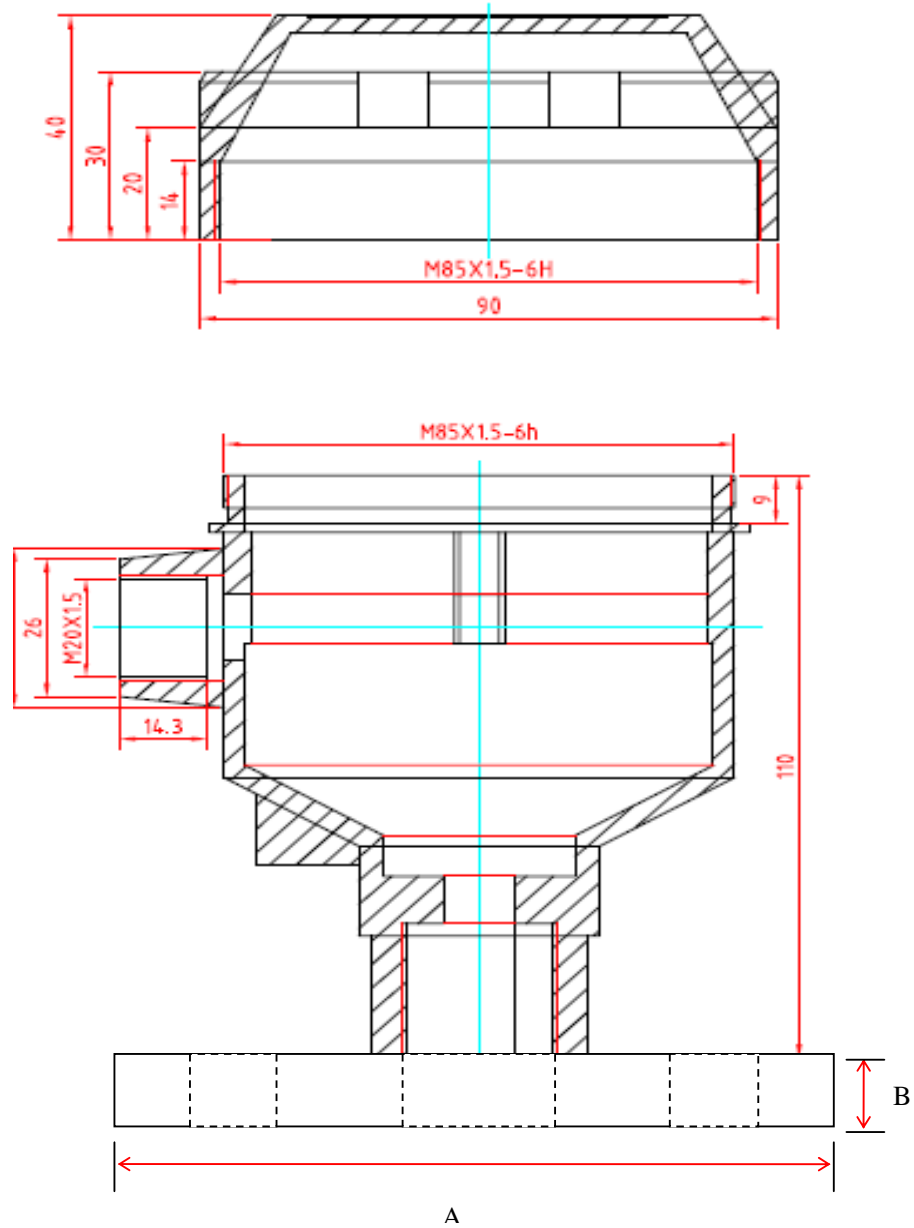
## External Dimension



# Electrode Holder



## B) Flanged End Connection



# Electrode Holder

---

Flanged Connection (mm)			
Standard	PN16	PN25	PN40
ID	50	50	50
OD(A)	165	165	165
P.C.D.	125	125	125
Holes Nos	4	4	4
Hole Dia.	18	18	18
Thickness(B)	11.5	20	22

Distributor:

