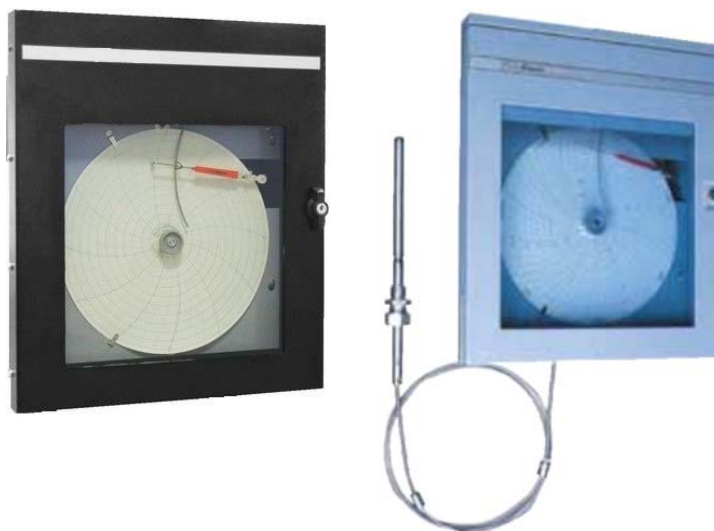


## PRESSURE & TEMPERATURE RECORDER



### SPECIFICATIONS

<b>Accuracy</b>	+/-1% FSD	
<b>Ambient Temperature</b>	-20°C to +50°C	
<b>Charts</b>	Disc 240mm (9.5 inches) diameter. Standard living 40, 50, 60, 70 or 80 linear divisions	
<b>Inking System</b>	2 pen : red & blue 3 pen : red, blue and green	
<b>Case</b>	Glass filled polyester resin. protection rated to IP55	
<b>Power Supply</b>	200 to 250 volts, 50Hz (60Hz available); 100 to 110 volts, 50Hz (60Hz available); Instruments without electrical control require no power supply provided that a clockwork chart drive is fitted. Battery operated chart drives require 1.5 volt type "C" cell.	
<b>Mounting</b>	Suitable for surface or panel mounting. (Pipe mounting and portable options available)	
<b>Weight</b>	<b>Single Pen</b>	6.5 kg (14.25lb)
	<b>Two Pen</b>	7.0 kg (15.5lb)
	<b>Three Pen</b>	7.5 kg ( 16.75lb)
	<b>Portable Single Pen</b>	8.6 kg (19lb)
<b>Window</b>	Acrylic	
<b>Chart Drive</b>	Synchronous electric, battery or mechanical spring wound. 24 hour or 7 day. (other rotations on request)	

**ORDERING CODE:- RPO Pressure Recorder**

RPO10	-	4	A	1	A	1	D	0-10bar
①		②	③	④	⑤	⑥	⑦	⑧

① Item/Series	RPO10	RPO Pressure Recorder, Single Pen
	RPO20	RPO Pressure Recorder, Two Pen
	RPO30	RPO Pressure Recorder, Three Pen
② Mounting	4	Wall/Panel
	5	Portable
	6	Pipe
③ Chart Drive	A	Electric 240V 50Hz
	B	Electric 110V 50Hz
	C	Electric other*
	D	Spring Wound
	E	Battery
④ Chart Rotation	1	24hours
	2	7days
	3	Others*
⑤ Controls/Alarms	A	No Control
	B	1 <sup>st</sup> pen High & Low
	C	2 <sup>nd</sup> pen High & Low
	D	1 <sup>st</sup> & 2 <sup>nd</sup> pen High & Low
⑥ Process Connection	1	Standard ( 3/8" BSP)
	2	½" BSP male
	3	½" NPT male
⑦ Element/Connection Material	C	Brass/Beryllium Copper/Phosphor Bronze
	D	Satinless Steel
	E	Other*
⑧ Range & Units of Measurement	XXX	Specify range & units

Notes:

- Where Other\* is specified please add note to order code stating exact requirement.
- Should a combination of Pressure & Temperature be required please refer to RTO temperature recorder order code.
- When specifying different ranges for 2 or 3 pen recorders, care should be taken to use standard/compatible chart ranges.

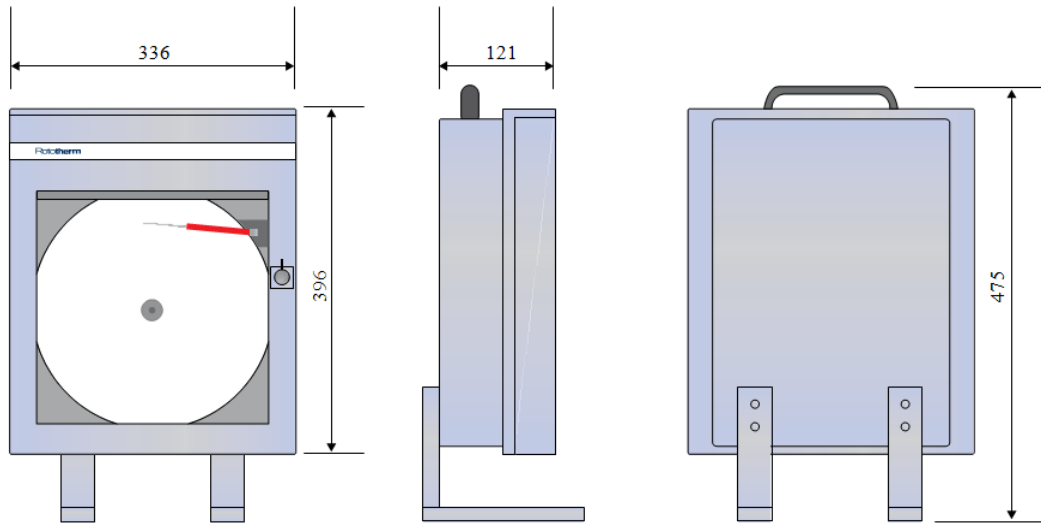
**ORDERING CODE:- RTO Temperature Recorder**

RTO10	-	4	A	1	A	3	C1	03	B	150	0-200C
-------	---	---	---	---	---	---	----	----	---	-----	--------

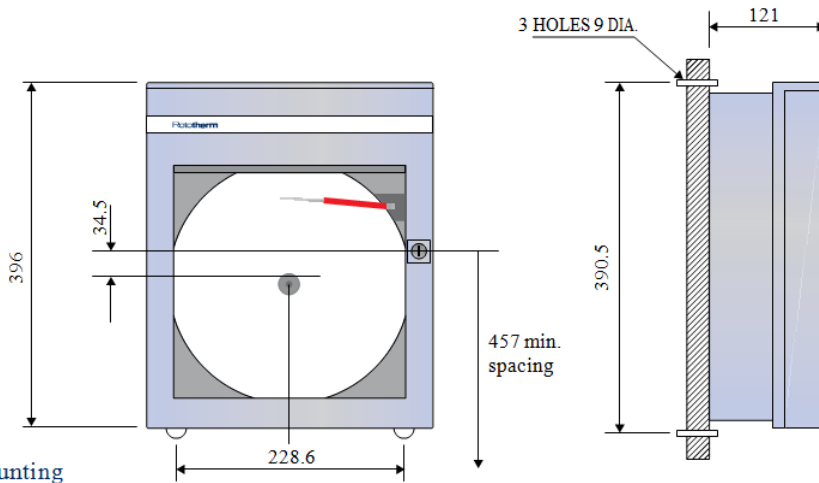
- ①      ②      ③      ④      ⑤      ⑥      ⑦      ⑧      ⑨      ⑩      ⑪

① <b>Item/Series</b>	RTO10	RTO Temperature Recorder, Single Pen
	RTO20	RTO Temperature Recorder, Two Pen
	RTO30	RTO Temperature Recorder, Three Pen
② <b>Mounting</b>	4	Wall/Panel
	5	Portable
	6	Pipe
③ <b>Chart Drive</b>	A	Electric 240V 50Hz
	B	Electric 110V 50Hz
	C	Electric other*
	D	Spring Wound
	E	Battery
④ <b>Chart Rotation</b>	1	24hours
	2	7days
	3	Others*
⑤ <b>Controls/Alarms</b>	A	No Control
	B	1 <sup>st</sup> pen High & Low
	C	2 <sup>nd</sup> pen High & Low
	D	1 <sup>st</sup> & 2 <sup>nd</sup> pen High & Low
⑥ <b>Bulb Options</b>	1	Type 301
	2	Type 302
	3	Type 303
⑦ <b>Capillary Type</b>	C1	Stainless Steel
	C2	Flexible stainless armour
	C3	Flexible stainless armour over stainless
⑧ <b>Capillary Length</b>	03	3 metres
	XXX	Other ( enter length in metres )
⑨ <b>Fitting /Gland(Type302/303 Bulbs only)</b>	A	No fitting required
	B	½" BSP male
	C	Other
⑩ <b>Bulb Immersion Length(Type 303 bulbs only)</b>	XXX	Enter length in mm
⑪ <b>Temperature Range</b>	XXX	Enter range in ° C or ° F

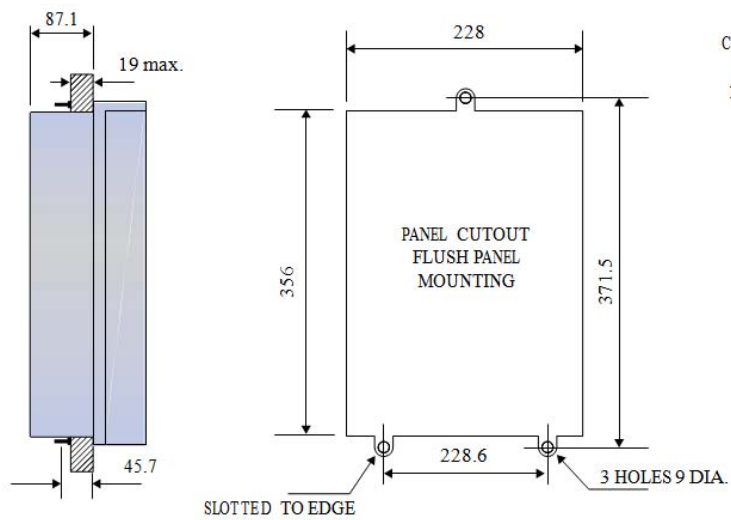
**DIMENSION:**



Portable Version



Surface Mounting



Panel Mounting