

PAPERLESS RECORDER PR4200



SPECIFICATIONS

Display	5.6" , 320 x 240 TFT, Color LCD Display
Number of inputs	1, 2, 3, 4, 5, 6, 7, 8, 9, 10, 11, 12 points
Input Signal	Thermocouple: 8types (K, J, T, E, R, S, B, N, Wer526, Wre525) RTD-Resistance Bulbs:3 types (PT100, CU50, CU100) DC Voltage (0-5VDC, 1-5 VDC, 0-10VDC) DC Current (4-20mA, 0-10mA) Others: 2 types (0-60mV, 0-100mV)
Sample Rate	1s /8 channel
Power Supply	100-240VAC, 47-63Hz
Power Consumption	Max 20VA(20W)
Front size	144 x 144 x 73mm/1.2kg
Operation Temperature	Working temperature 0~50 ° C Relative Humidity 10% ~ 85%
Storage	Temperature - 20° C ~60 ° C Relative Humidity 5% ~ 95%
Memory	NOR Flash memory
Memory Capacity	90days x Record Interval Time/CH Number
Relay Contact	Max 8 Outputs, programmable
Communication	RS485 , RS232 serial port output
Type of Alarm	High, Low, High-High, Low-Low Limit
Accuracy	0.2 grade when RTD, Linear Voltage, Linear Current and T.C Input 0.2% FS ± 2.0 ° C when T.C. input with cold junction compensation by internal part of recorder.

ORDERING CODE:-

PR42	-	01	C1	NO	N	F	
①		②	③	④	⑤	⑥	

① Item/Series	PR42	Paperless recorder, Model PR4200
② Channel	01	1 Channel
	02	2 Channel

	12	12 channel
③ Communication Output		None
	C1	Photoelectric-isolated RS485 communication output
	C2	Photoelectric-isolated RS232 communication output
	C3	Photoelectric-isolated Ethernet communication output
④ Relay Output		None
	NO	1 Relay output :NO, 30VDC/3A, 220VAC/3A
	2NO	2 Relay output :NO, 30VDC/3A, 220VAC/3A

	8NO	8 Relay output :NO, 30VDC/3A, 220VAC/3A
⑤ Power Supply	N	100 – 240 VAC
	D	24 VDC
⑥ Flow Totalize, Math Function	F	Flow totalize with Temperature, Pressure Compensation; Math Function

DIMENSION:

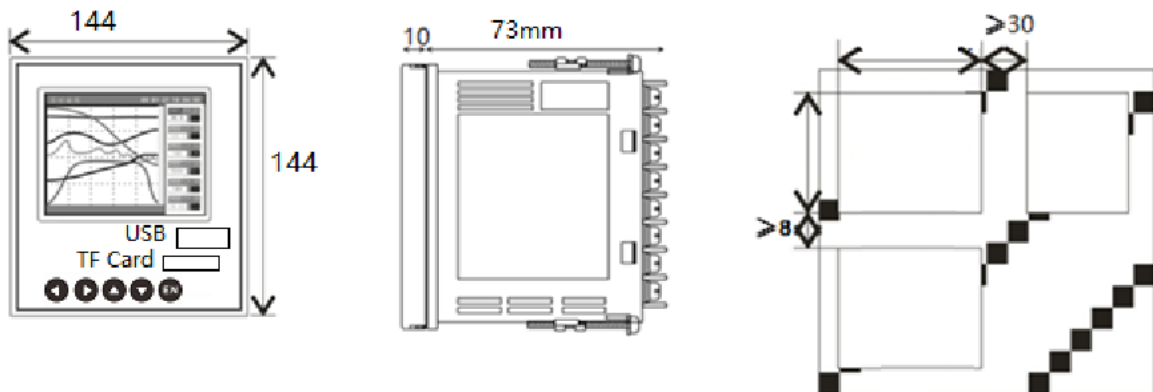
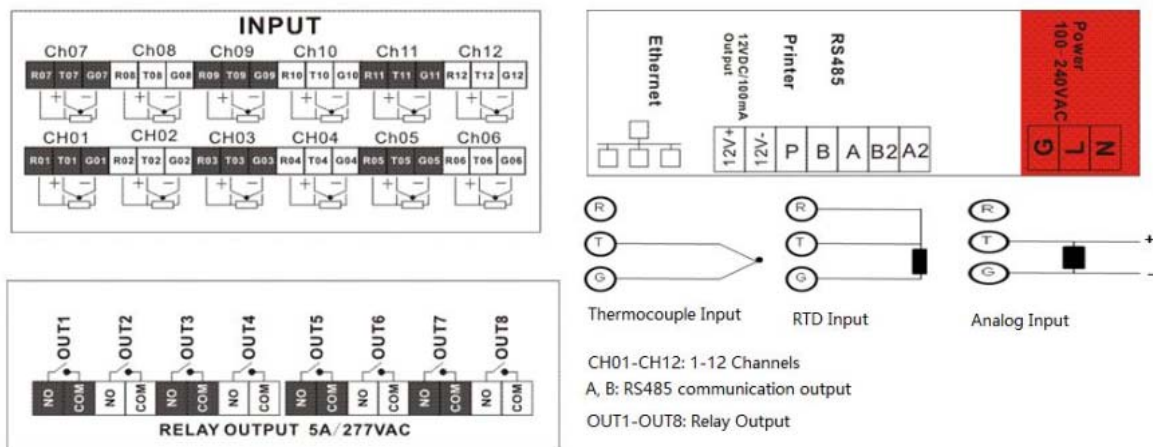


DIAGRAM:



Note: When 4-20mA input, please connect 50ohm resistor in parallel connection in input terminals
When 0-10mA input, please connect 500ohm resistor in parallel connection in input terminals

Distributor by:

LKS West Instruments Sdn Bhd

No. 50-2, Jalan Sungai Rasau D32/D,
Berjaya Park, Seksyen 32,
40460, Shah Alam, Selangor.
Tel: 603-5525 5038
Fax: 603-5525 5037
Email: info.west@lkssb.com.my