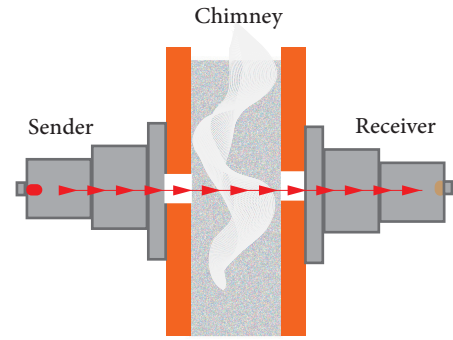


Smoke Density Meter

SDM V9

Measuring Principle

Smoke Density Monitor is used to monitor the smoke emission from all kinds of combustion and the soot contamination of inert gas. The measuring principles transmittance and scattered light forward. The automatic self-alignment optimized the position of the measuring beam and prevents incorrect measurement. An automatic check of zero and reference point as well as a contamination monitoring.



Features

- Continuous Monitoring
- Continuously recording in percent (%)
- Automatic calculation of Smoke Exceed Limit by Daily & Hourly
- Scanning Distance up to 20meter
- Aid to efficiency of combustion
- CE Mark by TUV

Benefit

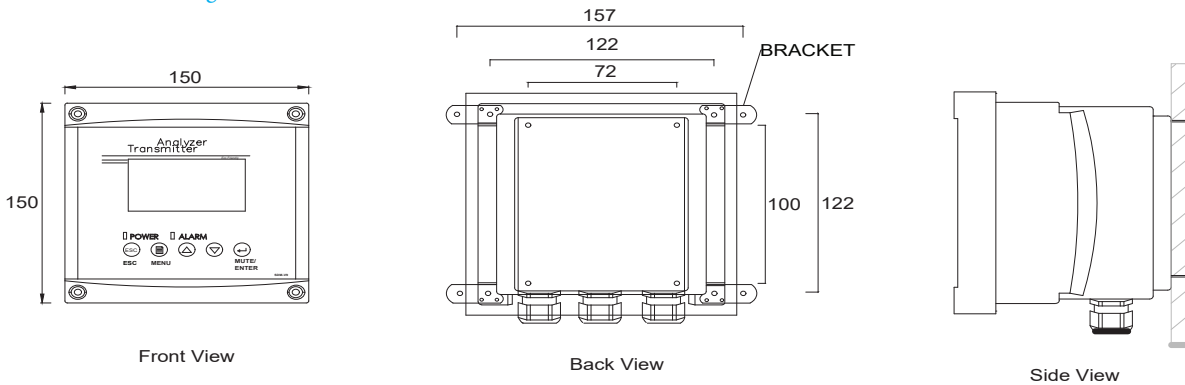
- Better accuracy over shorter path lengths
- Reliable application due to redundant measurement
- Low maintenance due to self-monitoring function
- Future-proof for decreasing limit values

Application

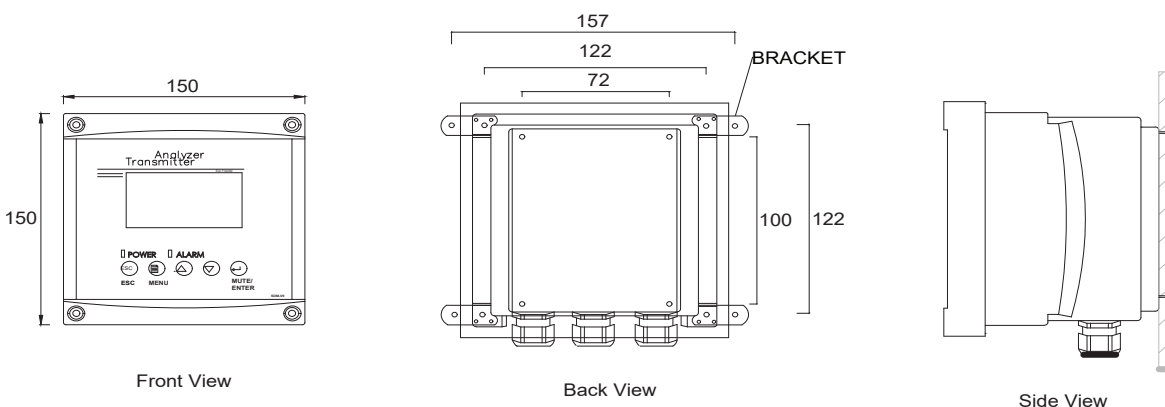
- Palm Oil Mill
- Paper Mill
- Gas Fuel Boiler
- Aluminium Plant
- Steel Plant



Surface Wall Mounting



Flush Panel Mounting



Technical Specification

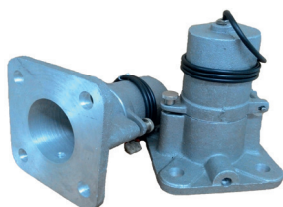
Controller

Power	85-260VAC; 50/60Hz
Power Consumption	20 Watt
Ambient Temperature	-10°C~50°C
Operating Temperature	0°C~55°C
Operating Humidity	-20 to 80% RH Max (Non Condensing)
Measuring Range	0-100% (Opacity)
Screen Width	LCD 70 x 38mm
Engineering Unit	Percent Obscuration (%)
Output	2 x output 4~20mA
Communication	RS485 Modbus
Alarm Contact	Max 5A/240VAC - SPDT Relay
Sampling Time	0.2 seconds
Mounting	Panel or Wall Mount
Dimension	W150 x H150 x D110 (mm)
Panel Cutout Dimension	W137 x H137 x D90 (mm)
Protection	IP65 Front Panel
Weight	1 Kg
TUV Certificate No.	AE50177232 001



Sensor

Enclosure Class	IP65
Sensor Body Material	Aluminium Alloy
Sender Element	Light Emitting Diode
Receiver Element	Light Dependent Resistor
Flange Mounting Size	146mm P.C.D, Φ 18 Holes, C.T.C: 102mm
Air Pressurized adapter	1/4" BSP Thread
Design Body	Weather Proof IP65
Max. Ambient Temperature	70°C
Max Stack Temperature	1200°C
Swing Door	90°C minimum
Weight	2.0 Kg






Auto Cleaner

Ambient Temperature	25°C and 40°C
Power Supply	Single phase 200-240VAC, 50Hz 3 Phase 345 ~415VAC, 60Hz
Material	Cast Aluminium
Connection	DN40 BSP
Static Pressure	120m Bar
Capacity	140m ³ /Hr
Weight	14Kg



Accessories

	<p>Multipurpose Bracket</p>
	<p>Blower Kit for Air Purge</p>
	<p>Compress Air Kit Use with compress air purge. Includes pressure regulator, in-line filters and compressed air adapters for the purge body.</p>

Ordering Number

Description	Model
Controller	SDM-LK-V9
Sender	SDS-LK-SV5
Receiver	SDR-LK-RV4
Air Blower Cleaner Set	D10.AB
Air Compressor Filter Set	D10.AC
Multipurpose Bracket	S-LK-SDM-SB-1