



COMPACT
PRESSURE TRANSMITTER
(PT)

Table and Contents

Compact Pressure Transmitter

Introduction.....	1
Feature.....	1
Application.....	1
Specification.....	2
Dimension	2
Ordering Code.....	3

Digital Pressure Transmitter

Introduction.....	5
Feature.....	5
Application.....	5
Specification.....	6
Dimension	7
Terminal Connection.....	7
Ordering Code.....	8

Introduction

PT compact pressure transmitter use HT series piezoresistive silicon oil filled as measurement component. Sensor's output transferred to standard output signal via integrated amplify circuit. Come with high reliability & stability.



Feature

- Wide measurement range, fully stainless steel
- Various output signal
- Scene adjustable
- Protection class IP 65
- CE Certificate

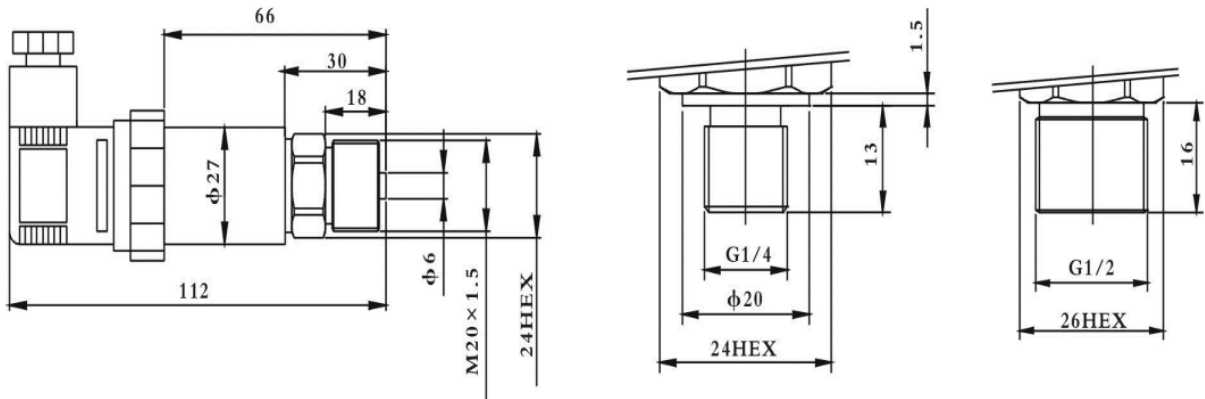
Application

- Air compressor
 - Various type of pumps
 - Hydraulic pressure & pneumatic control system
 - Water treatment plant
 - Water works
-

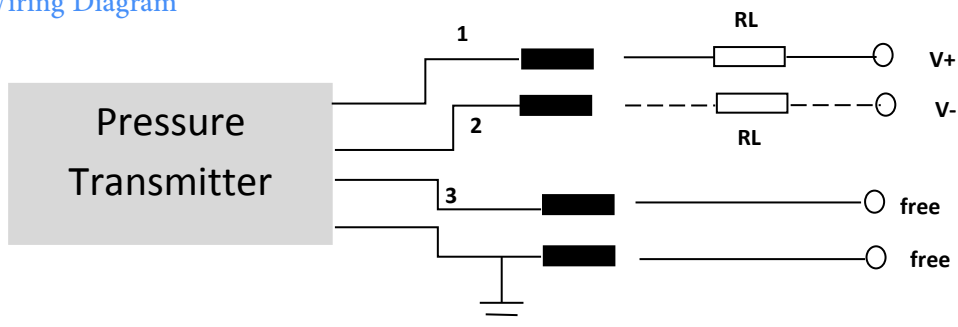
Specification

Measuring range	-0.1 ... 0~0.01 ... ~100Mpa
Proof pressure	≤ 1.5X rated pressure or 110Mpa whichever is less
Accuracy	± 0.5%
Long term stability	±0.1% F.S./year (typical) ±0.2% F.S./year (Max.)
Temperature Error-Zero	±0.03% F.S./°C (≤100Kpa) ±0.02% F.S./°C (>100Kpa)
Temperature Error-Span	±0.03% F.S./°C (≤100Kpa) ±0.02% F.S./°C (>100Kpa)
Operating temperature range	-20°C ~ 80°C
Storage temperature range	-40°C ~ 1200°C
Power Supply	15 ~ 30 VDC
Output Signal	4~20mA ; 0~ 10/20mA ; 0/1~5/10VDC
Pressure Port	M20 x 1.5; G1/2 ; customize
Housing Material	1 Cr18Ni9Ti Stainless steel
Diaphragm material	316L
O-ring	Fluor rubber
Cable	Polyethylene
Insulation resistance	100M Ω ; 100 VDC
Protection	IP65

Dimension (unit: mm)



Wiring Diagram



Ordering Code

PT	Compact Pressure Transmitter
<u>Pressure Type</u>	
G	Gauge
A	Absolute
<u>Pressure Range</u>	
1001	0~1.0 bar
1601	0~1.6 bar
2501	0~2.5 bar
4001	0~4 bar
6001	0~6 bar
1002	0~10 bar
1602	0~16 bar
2502	0~25 bar
4002	0~40 bar
6002	0~60 bar
1003	0~100 bar
1603	0~160 bar
2503	0~250 bar
4003	0~400 bar
x102	-1 ~ 0 bar
xxxx	special
<u>Accuracy</u>	
A	±0.5% F.S
B	±0.25% F.S

Distributor:

LKS West Instruments Sdn Bhd^(834286-T)
No. 50-2, Jalan Sungai Rasau D32/D,
Berjaya Park, Seksyen 32, Shah Alam
40460, Selangor, Malaysia
Tel: +603-5525 5038
Fax: +603-5525 5037
Email: info.west@lkssb.com.my