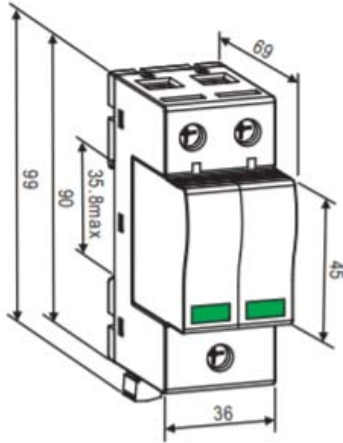


LP-20C

Measuring Principle

Lightning Protector Unit model LP-20C is design for power class C. It provides protection against the overvoltage from lightning strike to the power class C or miss-operation.



Feature

- Plug & play design, live wire replacement
- Built-in temperature control & circuit breaker technology, high security performance.
- Green light indicates normal; red line indicates broken.
- Optional tele-signalisation monitoring interface, can realize remote monitoring
- Assembly combination modules such as 1P+N, 2P, 3P+N, 4P & etc.

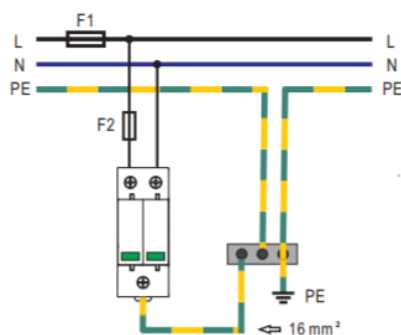
Application

- Apply to power class C
- Building low voltage distribution box

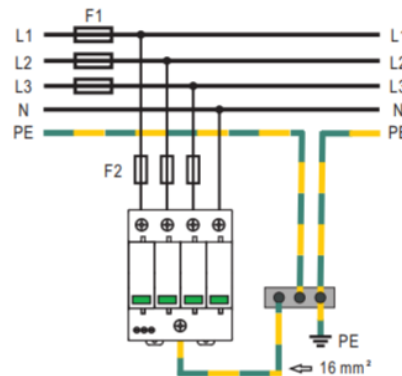
Main Technical Data

Model	LP-20C			
Maximum continuous operating voltage $U_c \sim V$	75	275	385	690
Voltage protection level up kV	< 0.8	< 1.5	< 1.8	< 2.7
Voltage limiting $U_{res}(at 5kA)$ kV	< 0.4	< 1.0	< 1.3	< 2.0
Nominal discharge current (8/20 μ s)kA	20			
Maximum discharge current(8/20 μ s)kA	40			
Housing material	Flame-retardant reinforced nylon(UL94V-0)			
Recommended grounding conductor cross-sectional area	10mm ² multi-strand flexible wire			
Combination mode	1P, 2P, 3P, 4P, 1P+NPE, 3P+NPE			
Maximum strength of back-up protection fuse	80 AgL			

Wiring Diagram



LP-20C/2P



LP-20C/4P

LKS West Instruments Sdn Bhd (834286-T)

No. 50-2, Jalan Sungai Rasau D32/D, Berjaya Park, Seksyen 32, 40460, Shah Alam, Selangor, Malaysia.

Tel: +603-5525 5038 Fax: +603-5525 5037 Email: info.west@lkssb.com.my Webpage: www.lkssb.com.my