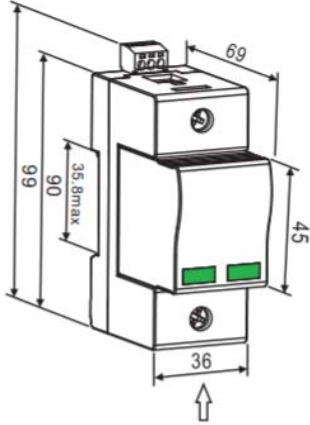


LP-40B+C

Measuring Principle

LP-40B+C series are applied to equipotential bonding of the building low voltage main distribution boxes, providing protection against the overvoltage arising from lightning strike to the power class B & C or



1P:36,2P:72,3P:108,4P:144

Feature

- Unnecessary to consider load current, plug & play design live wire replacement, easy maintenance.
- Built-in temperature control and circuit breaking technology, high security performance.
- Green light indicates normal, red light indicates broken and need to replace, clear and easy distinguish.
- Optional telesignalisation monitoring interface, can realize remote monitoring.
- Function of lightning protection backup, half of protection ability is available when either red light on.
- Assembled combination modules such as 1P+N, 2P, 3P+N, 4P, etc. Applied to various electric networks system.

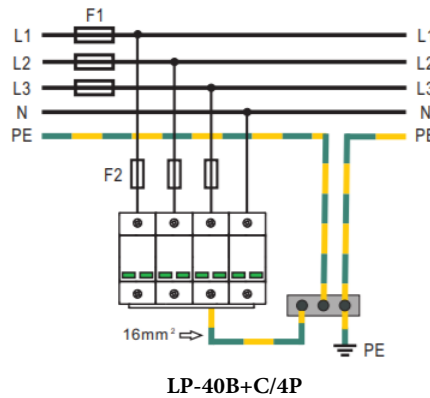
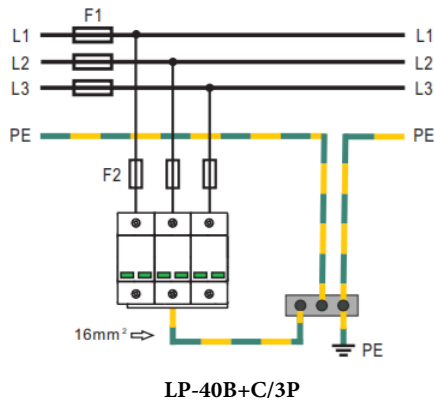
Application

- Building low voltage main distribution box. Power Class B & C

Main Technical Data

Model	LP-40B+C		
Maximum continuous operating voltage $U_c \sim V$	275	385	690
Voltage protection level up kV	< 2.2	< 2.4	< 3.0
Voltage limiting U_{res} (at 5kA) kV	< 1.0	< 1.2	< 2.0
Nominal discharge current (8/20 μ s)kA	40		
Maximum discharge current(8/20 μ s)kA	80		
Impulsive discharge current I_{imp} (10/350) KA	1.5		
Housing material	Flame-retardant reinforced nylon(UL94V-0)		
Response time ns	< 25ns		
Recommended grounding conductor cross-sectional area	16mm ² multi-strand flexible wire		
Maximum strength of back-up protection fuse	125 AgL/63A		

Wiring Diagram



LKS West Instruments Sdn Bhd (834286-T)

No. 50-2, Jalan Sungai Rasau D32/D, Berjaya Park, Seksyen 32, 40460, Shah Alam, Selangor, Malaysia.

Tel: +603-5525 5038 Fax: +603-5525 5037 Email: info.west@lkssb.com.my Webpage: www.lkssb.com.my