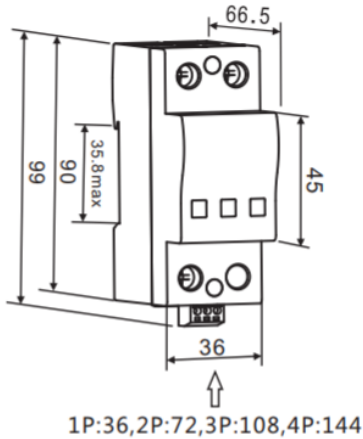


LP-75B

Measuring Principle

Lightning Protector Unit model LP-75B is design for power class B. It provides protection against the overvoltage from lightning strike to the power class B or miss-operation.



Feature

- Large current capacity, low residual voltage.
- Build-in temperature control and circuit breaking technology, high security performance.
- Lighting off in notice window indicates normal, red indicates broken, clear and easy distinguish.
- Optional telesignalisation monitoring interface, can realize remote monitoring.
- Realizable wiring to reduce conductor resistance.
- Assembled combination modules such as 1P+N, 2P, 3P+N, 4P etc, applied for various electric network system.

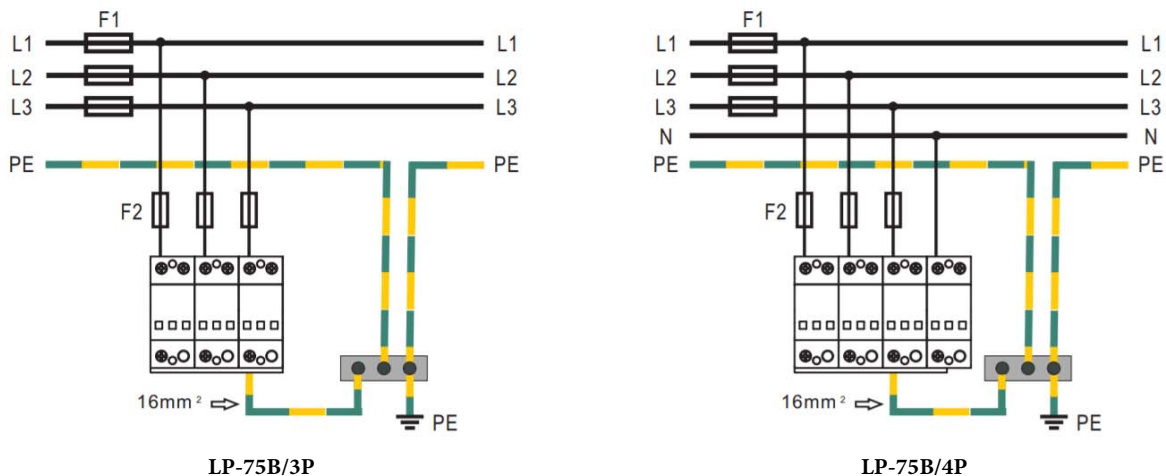
Application

- Building low voltage main distribution box
- Power Class B

Main Technical Data

Model	LP-75B
Max continuous operating	385V
Voltage protection level up kV	< 1.5kV
Nominal discharge current(8/20 μ s)kA	80
Maximum discharge current(8/20 μ s)kA	120
Impulsive discharge current Limp (10/350 μ s)kA	10kA
Housing material	Flame-retardant Reinforced Nylon (UL 94V-0)
Response time	<25ns
Recommended grounding conductor	16mm ² Multi-Strand Flexible Wire
Combination mode	1P, 2P, 3P, 4P, 1P+NPE, 3P+NPE
Max intensity of backup fuse	160AgL

Wiring Diagram



LKS West Instruments Sdn Bhd (834286-T)

No. 50-2, Jalan Sungai Rasau D32/D, Berjaya Park, Seksyen 32, 40460, Shah Alam, Selangor, Malaysia.

Tel: +603-5525 5038 Fax: +603-5525 5037 Email: info.west@lkssb.com.my Webpage: www.lkssb.com.my