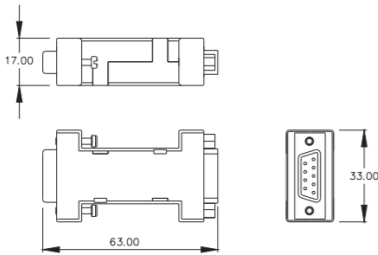


LP-C/DB9

Measuring Principle

Lightning Protector Unit model LP-C/DB9 series lightning protection device is suitable for lightning protection with DB9 interface equipment. It can prevent induced overvoltage, over current and other transient surge voltages caused by lightning or industrial noise or damage caused by permanent damage or sudden interruption of equipment.



Feature

- Easy installation and replacement, standard DB9 connector
- Fast speed, low output residual voltage and superior transmission performance.
- Small size, exquisite and adaptable

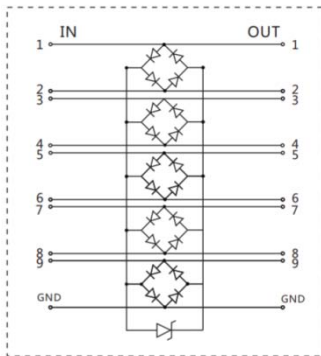
Application

- DB9 interface equipment

Main Technical Data

| Model | LP-C/DB9-5 | LP-C/DB9-12 |
|---------------------------------------|-------------------|-------------|
| Typical application | RS-232 | RS-485 |
| Rated operating voltage Ue | 5V | 12V |
| Max. continuous operating voltage Uc | 8V | 18V |
| Voltage protection level Up | <80V | |
| Nominal discharge current In (8/20μs) | 100A | |
| Shock voltage (10/700 μs) | 1.5kV | |
| Transmission rate fg | 45MHz | |
| Protection line | BNC coaxial cable | |
| Insertion loss | ≤0.5dB | |
| Housing material | ABS | |
| Normal operating temperature | -40°C ~ 80°C | |

Wiring Diagram



LKS West Instruments Sdn Bhd (834286-T)

No. 50-2, Jalan Sungai Rasau D32/D, Berjaya Park, Seksyen 32, 40460, Shah Alam, Selangor, Malaysia.

Tel: +603-5525 5038 Fax: +603-5525 5037 Email: info.west@lkssb.com.my Webpage: www.lkssb.com.my