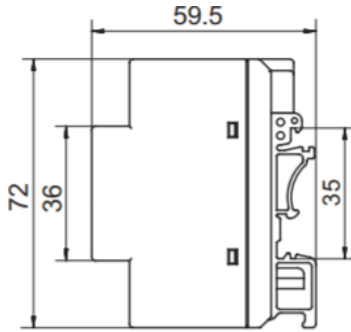


LP-COM/A

Measuring Principle

LP-COM/A series protective devices for AC/DC power are applied to the front end of power supply equipment of different voltage lines such as computer system, modem, signal control, etc. Providing protection against overvoltage arising from lightning strike or miss-operation



Feature

- Large flow capacity, low residual voltage, no leakage current to ground
- Two connection modes of series and parallel, wide application range
- Built-in double lightning protection technology, high safety performance
- Adopt Brand lightning protection components, reliable quality and stable performance
- 32mm G-rail and 35mm U-rail universal mounting method, strong applicability.

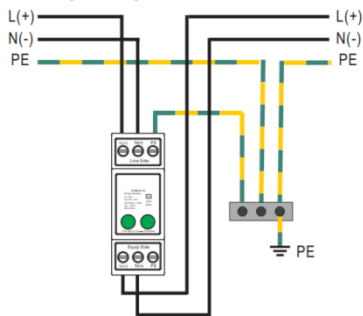
Application

- Apply for AC/DC power supply system

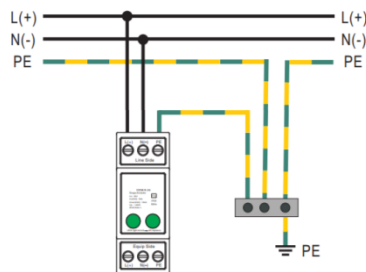
Main Technical Data

Model	LP-COM/A-5	LP-COM/A-12	LP-COM/A-24	LP-COM/A-48	LP-COM/A-110	LP-COM/A-230
Rated working voltage $U_{e\sim V}$	5	12	24	48	110	230
Maximum continuous operating voltage $U_c \sim V$	8	18	36	60	150	320
Voltage protection level up	<400 kV	<400 kV	<400 kV	<800 kV	<1000 kV	<1500 kV
Nominal discharge current in (8/20us)kA	5kA					
Maximum discharge current in (8/20us)kA	10kA					
Rated load current	10A (in serial) / 300A (in Parallel)					
Connection method	Wiring Terminals					
Leakage current	None					
Response time ns	25ns					
Level of protection	IP20					
Housing material	Enhanced flame-retardant Reinforced Nylon (UL 94V-0)					
Installation mode	35mm standard DIN rail installation					
Recommended grounding conductor cross-sectional area	3mm ² Multi Strand Flexible Wire					
Temperature range	-40°C ~ +80°C					
Relative humidity	≤ 95% (Non-condensation)					

Wiring Diagram



Serial-connection mode can be applied to the power system with the rated load current not beyond 10A



Parallel connection mode can be applied to the power system with the rated load current 10A

LKS West Instruments Sdn Bhd (834286-T)

No. 50-2, Jalan Sungai Rasau D32/D, Berjaya Park, Seksyen 32, 40460, Shah Alam, Selangor, Malaysia.

Tel: +603-5525 5038 Fax: +603-5525 5037 Email: info.west@lkssb.com.my Webpage: www.lkssb.com.my