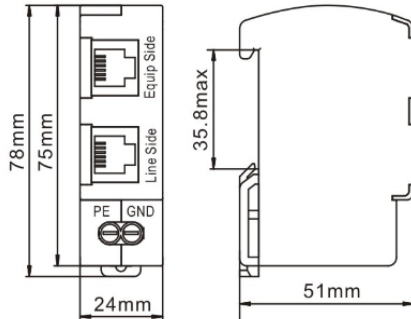


## LP-C/RJ11

### Measuring Principle

Lightning Protector Unit model LP-C/RJ11 DIN rail device provides protection against overvoltage arising from lightning strike to the data & control.



### Feature

- Adopt 35mm standard DIN rail, convenient for installation.
- Multi-protection technology, strong protection and high reliability
- Built-in 4mm lifting grounding terminal, strong wiring capability and more reliable grounding
- Compact and exquisite, flexible, convenient and adaptable

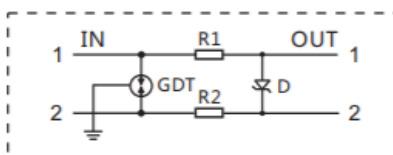
### Application

- Computer network
- Telephone system
- Control system

### Main Technical Data

Model	LP-C/RJ11
Rated operating voltage $U_e$	110V
Max. continuous operating voltage $U_c$	130V
Wire to line nominal discharge current ( $I_n @8/20\mu s$ )	100A
Line to ground nominal discharge current ( $I_n @8/20\mu s$ )	2.5kA
Voltage protection level ( $U_p @line-line$ )	<350V
Voltage protection level ( $U_p @line-GND/PE$ )	<750V
Connection method	RJ11
Transmission rate $f_g$	40MHz
Insertion loss	$\leq 0.5dB$
Housing material	Flame-retardant reinforced nylon (UL 94V-0)
Installation method	35mm standard rail mounting
Recommended grounding conductor cross-sectional area	3mm <sup>2</sup> multi-strand soft wire
Normal operating temperature	-40°C ~ 80°C

### Wiring Diagram



LKS West Instruments Sdn Bhd (834286-T)

No. 50-2, Jalan Sungai Rasau D32/D, Berjaya Park, Seksyen 32, 40460, Shah Alam, Selangor, Malaysia.

Tel: +603-5525 5038 Fax: +603-5525 5037 Email: [info.west@lkssb.com.my](mailto:info.west@lkssb.com.my) Webpage: [www.lkssb.com.my](http://www.lkssb.com.my)