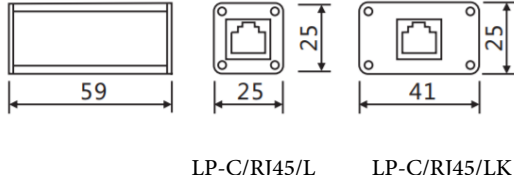


LP-C/RJ45/L

Measuring Principle

Lightning Protector Unit model LP-C/RJ45/L is Aluminum shell RJ45 network signal lightning protector device.



Feature

- Aluminum profile shell, beautiful and durable, good shielding effect
- Standard signal connector, easy to use, reliable connection
- Multi-level fine protection circuit, using the latest high-speed surge protection device, reflecting fast Low output residual voltage and superior transmission performance

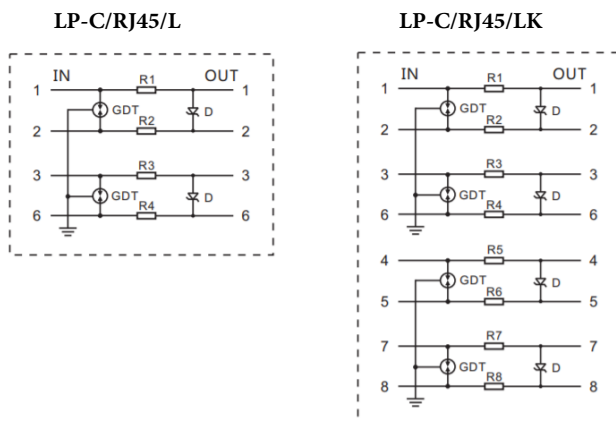
Application

- Data communication system
- Modems
- Server
- Hubs in computer networks

Main Technical Data

Model	LP-C/RJ45/L	LP-C/RJ45/LK
Rated operating voltage U_e		5V
Max. continuous operating voltage U_c		8V
Nominal discharge current (I_n @8/20 μ s)		2.5kA
Voltage protection level (U_p @line-line)		<45V
Voltage protection level (U_p @line-GND/PE)		<500V
Transmission rate fg	100MHz	1000MHz
Protection Line	1,2,3,6 lines	1,2,3,4,5,6,7,8 lines
Insertion loss		≤ 0.5 dB
Line to line response time T_a		≤ 1 ns
Line to ground response time T_a		≤ 100 ns
Normal operating temperature		-40°C ~ 70°C

Wiring Diagram



LKS West Instruments Sdn Bhd (834286-T)

No. 50-2, Jalan Sungai Rasau D32/D, Berjaya Park, Seksyen 32, 40460, Shah Alam, Selangor, Malaysia.

Tel: +603-5525 5038 Fax: +603-5525 5037 Email: info.west@lkssb.com.my Webpage: www.lkssb.com.my