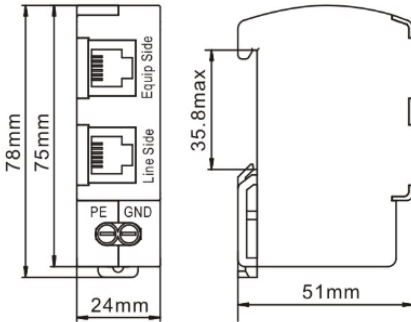


LP-C/RJ45

Measuring Principle

Lightning Protector Unit model LP-C/RJ45 is connected in series in CAT6 network cables, compatible with 10/100/1000/10000 (10G) Base-T Ethernet systems, protecting the equipment which are connected to the network (e.g. computers, routers, PoE devices, etc.) against damages by over-voltage surge.



Feature

- Adopt 35mm standard DIN rail, convenient for installation.
- Multi-protection technology, strong protection and high reliability
- Built-in 4mm lifting grounding terminal, strong wiring capability and more reliable grounding
- Compact and exquisite, flexible, convenient and adaptable

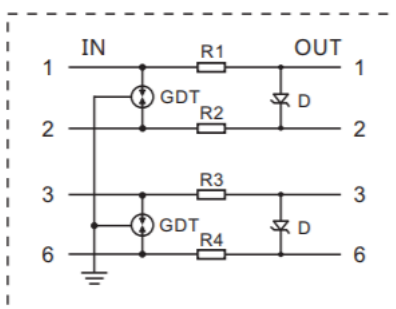
Application

- Data communication system
- Computer network
- Ethernet system
- PoE system

Main Technical Data

Model	LP-C/RJ45
Rated operating voltage U_e	5V
Max. continuous operating voltage U_c	8V
Wire to line nominal discharge current (I_n @8/20μs)	100A
Line to ground nominal discharge current (I_n @8/20μs)	2.5kA
Voltage protection level (U_p @line-line)	<45V
Voltage protection level (U_p @line-GND/PE)	<500V
Connection method	RJ45
Transmission rate f_g	100MHz
Insertion loss	≤ 0.5 dB
Housing Material	Flame-retardant Reinforced Nylon (UL 94V-0)
Installation method	35mm standard rail mounting
Recommended grounding conductor cross-sectional area	3mm ² multi-strand soft wire
Normal operating temperature	-40°C ~ 80°C

Wiring Diagram



LKS West Instruments Sdn Bhd (834286-T)

No. 50-2, Jalan Sungai Rasau D32/D, Berjaya Park, Seksyen 32, 40460, Shah Alam, Selangor, Malaysia.

Tel: +603-5525 5038 Fax: +603-5525 5037 Email: info.west@lkssb.com.my Webpage: www.lkssb.com.my