

LP-20C/3P-PV Series

Measuring Principle

LP-20C/3P-PV series photovoltaic DC surge protective devices are applied to solar photovoltaic power generation system or other DC power system, providing protection against overvoltage arising from lightning. They can work normally at high altitude.



Feature

- Plug in module and separate base design
- Built in temperature control and circuit breaking technology
- Green light indicates normal; Red light indicates broken.

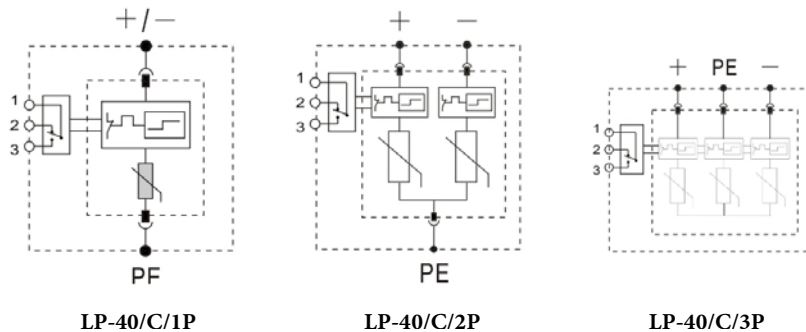
Application

Photovoltaic combiner box & photovoltaic power supply box

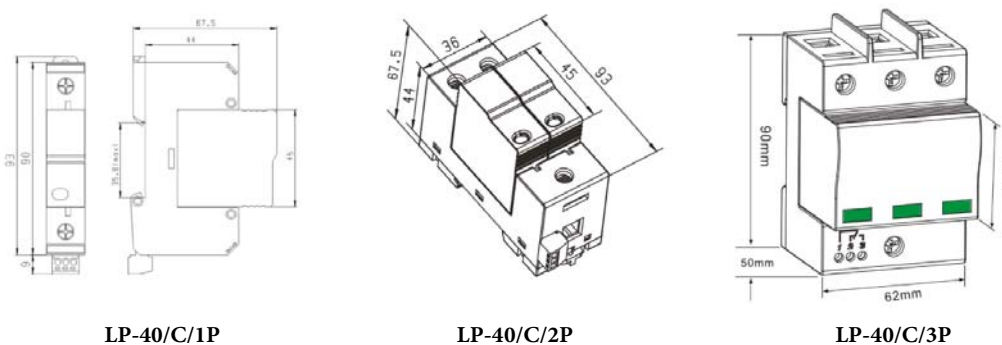
Main Technical Data

Model	LP-20C/3P-PV800	LP-20C/3P-PV1000	LP-20C/3P-PV1200
Maximum continuous operating voltage U_c	800V	1000V	1200V
Voltage protection level U_p	<3.6kV	<3.6kV	<4.0kV
Limit voltage $U_{res}(5kA)$	<2.8kV	<2.8kV	<3.2kV
Nominal discharge current $I_n(8/20\mu s)$	20kA		
Maximum discharge current $I_{max}(8/20\mu s)$	40kA		
Housing material	Flame retardant reinforced nylon (UL94V-0)		
Recommended grounding conductor cross-sectional area	16mm ² multi-strand soft wire		
Maximum backup protection fuse	80 AgL		
Clearance and creep age distance	>25mm		
Normal operating temperature	-40°C ~ 80°C		

Connection Diagram



Dimension



LKS West Instruments Sdn Bhd (834286-T)

No. 50-2, Jalan Sungai Rasau D32/D, Berjaya Park, Seksyen 32, 40460, Shah Alam, Selangor, Malaysia.

Tel: +603-5525 5038 Fax: +603-5525 5037 Email: info.west@lkssb.com.my Webpage: www.lkssb.com.my